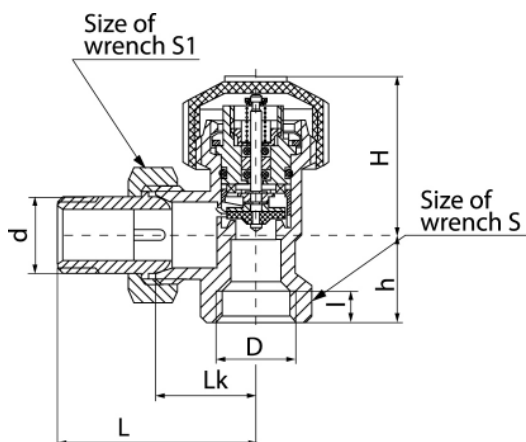


**Thermostatic valves VECTOR**

Angle nickel plated thermostatic valve ZT22 with movable diaphragm (with pre-setting)



DN	Code	Colour	Dimensions										EAN13
			Size	D	d	L	Lk	I	H	h	S	S1	
FK 15	4512010	nikiel / nickel	1/2"	Rp1/2	R1/2	53	26	10	41,5	23	27	30	5907451900703
FK 20	4513010	nikiel / nickel	3/4"	Rp3/4	R3/4	63	30	12	43	26	32	37	5907451900710
FK 15	4512090	biały / white	1/2"	Rp1/2	R1/2	53	26	10	41,5	23	27	30	5907451964323

**Product usage:**

For use in central heating installations

**Type:**

Thermostatic valves

**Guarantee:**

25-year

**Technical data/Operating parameters:**

Max pressure: 1,0 MPa,  
Max temperature: 120°C

**Used materials:**

body, screw, coupling nut, coupling end piece, disc seat, distance, crew CCW, bushing,  
spring cover: brass; pin, cover plate, spring: steel;  
disc, sensor, pin and coupling end piece  
sealing: EPDM rubber;  
cap: tarnamide

**Finish:**

body, coupling nut, coupling end piece: nickel (white version - powder-coated)