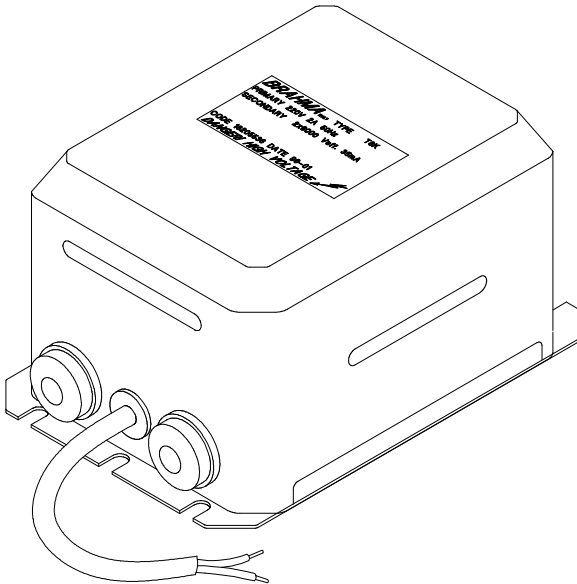


# IGNITION TRANSFORMERS TYPES T8.. T16/D T18.. T20..



## DESCRIPTION

The ignition transformers type T8... - T16/D - T18... - T20 have the same overall dimensions, but different electric features and fixing systems.

These transformers are used in different applications depending on their electric features, i.e.:

- The T8/... transformers are suitable for high thermal power burners or pressurised burners for light or heavy oil.
- The T16/D transformers are suitable for fluid or gaseous fuel burners.
- The T18/... transformers, which are designed for permanent operation, are suitable for the application on industrial machines (e.g. water cleaners).
- The T20/... transformers are suitable to equip light or heavy oil burners designed for frequent and repeated starts (e.g. burners for steam boilers, cooking furnaces, and so on).

## FEATURES

Followings are the main features of this series:

- various connection and fixing systems;
- high discharge power;
- high efficiency and ignition power.

## TECHNICAL DATA

- **Supply voltage:** 220V - 50Hz  
(different voltage and frequency values are available on request)
- **Operating temperature range:** -10°C +60°C
- **Isolation:** polyester resin
- **Recommended distance between the electrodes:** 3÷5mm
- **Supply cable standard length:** 700 mm

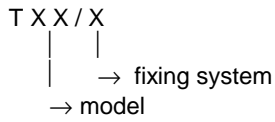
	T8/...	T16/D	T18/...	T20/...
Number of poles	2	2	2	2
Output peak voltage (KV)	2 x 6.5	2x5	2 x 4.5	2 x 5
Output effective current (mA) (1)	35	20	16	23
Input effective current (A)	2.1	1,1	0.77	1.3
Duty cycle	33% in 3 minutes	33% in 3 minutes	100%	66% in 3 minutes
Power consumption (VA)	460	240	170	285
Weight (Kg)	3.5	30	3.7	3.2

(1) : short circuit secondary.

## CONSTRUCTION

This series consists of column-type transformers, i.e. ignition transformers fitted with 2 primary windings and 2 secondary windings, except for type T16/D which is a shell-type transformer. All types are isolated by a special high isolation separator. High voltage isolation is achieved by means of a special kind of vacuum cast polyester resin.

The housing is made of stove enamelled pressed metal. Each transformer is specified by the letter T (transformer), by one or more figures indicating the model and sometimes by some letters referring to the particular fixing system, i.e.:



If the fixing system used is standard, the corresponding reference letter is not inserted in the part reference. For instance, the part reference T8 refers to a transformer with standard fixing system, whereas the part reference T8/B corresponds to a T8 transformer with different fixing system (see Fig.1, type B). The transformers of this series can have the same electric features but different fixing systems, or vice versa.

**OVERALL DIMENSIONS**

Fig.1 shows the main overall dimensions and the various fixing systems of these transformers.

**CONNECTION**

The high voltage isolators employed in this series of transformers are of two different types (see Fig.2), according as the connection with high voltage cables occurs by means of a screw or of a 6.3 diameter cylindrical terminal type Rajah. If not expressly mentioned, the connection terminal used is a screw terminal. Both isolators are made of ceramic.

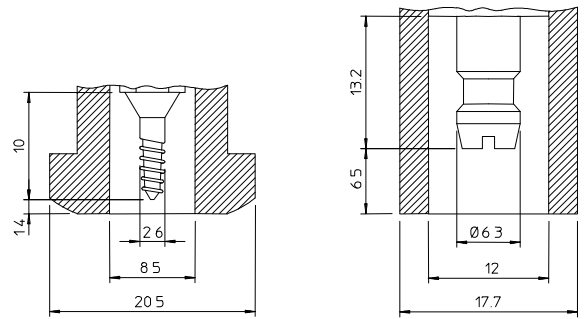
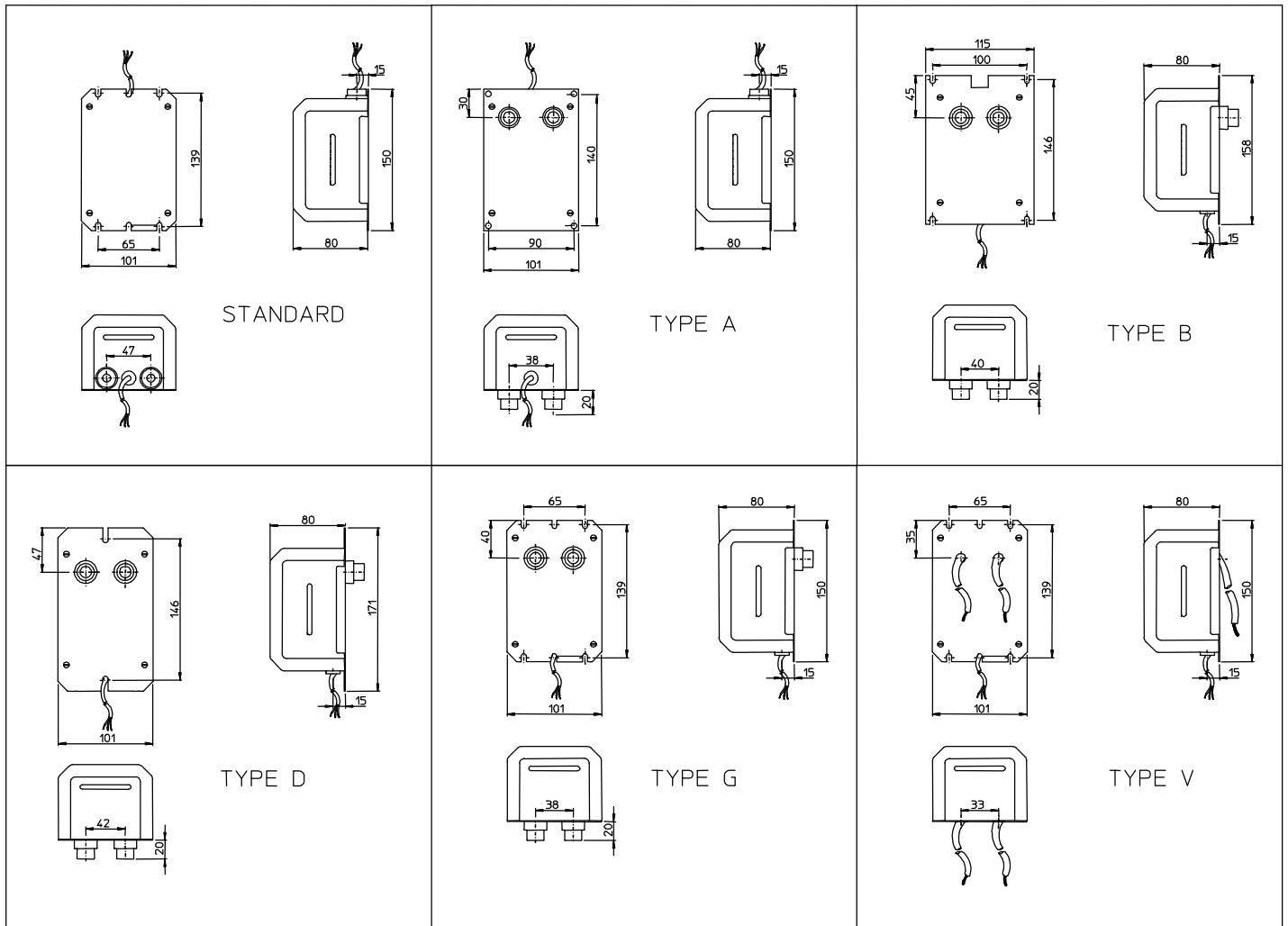


Fig.2

**INSTALLATION**

- Connect and disconnect the ignition transformer only after switching off the power supply.
- Respect the applicable national and European standards (e.g. EN 60355-1 / EN 50165) regarding electrical safety.
- Make sure that the earth of the transformer and the earth of the electric system are well connected.
- The device can be mounted in any position.
- Do not put high voltage cables next to other cables.
- Guarantee a protection degree suitable to the application.

Fig.1



**BRAHMA S.p.A.**

Via del Pontiere, 31  
 37045 Legnago (VR)  
 Tel. +39 0442 635211 - Telefax +39 0442 25683  
 http://www.brahma.it  
 E-mail : brahma@brahma.it

03/03/17 Subject to amendments without notice